

BASE STATION ANTENNA

BSM-VHF 120-174 MHz



The omnidirectional antenna, vertically polarized, produced in versions cover the whole VHF band. Waterproof construction and careful material selection ensure dependable service in all environments. Vertical radiation pattern is optimized with a special consideration of mobile radiocommunications operating in urban environment. The antenna is DC-grounded, closed in fiberglass cover painting with polyurethane varnish, ensuring resistance to all climatic conditions. The antenna is produced in two versions of the mounting. The antenna is produced in two versions cover the whole VHF band. Air version of the antenna signed as BSK-AIR is operating in the frequency range 116 – 140Mhz.

ELECTRICAL

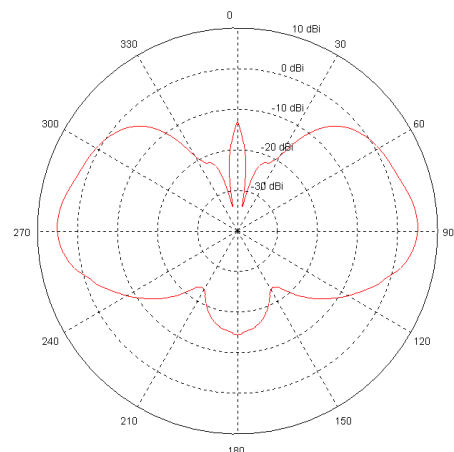
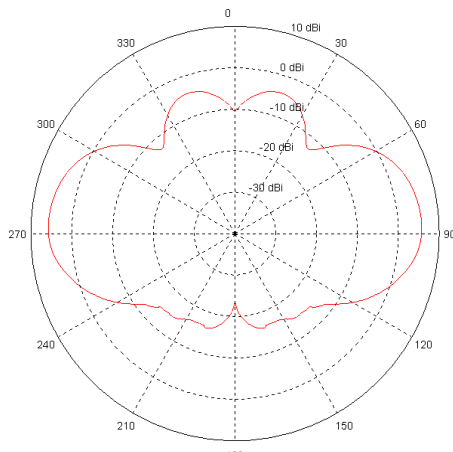
Gain (ref. to $\lambda/2$ dipole)	3 dB
Horizontal radiation pattern	Omnidirectional
Impedance	50 Ω
Antenna type	colinear, 2 x $5/8 \lambda$
VSWR	$\leq 1,5$
Maximum power	500 W
Bandwidth	20 MHz
Frequency range	116 – 175 MHz versions with 20MHz bandwidth, 116 – 136MHz BSK-AIR version
Horizontal radiation pattern code (H-plane)	000ND00 (CEPT Recommendation T/R 25-08)
Vertical radiation pattern code (E-plane)	017DE30 (CEPT Recommendation T/R 25-08)

MECHANICAL

Connector	N
Material	Aluminium, fiberglass
Polarization	Vertical
Dimensions of mounting mast	diameter 40,00 mm, length 190,00 mm or aluminium cast
Weight	1,3 kg
Lightning protection	galvanic, on mounting corpus
Total height	3000,00 mm
Packaging	Carton box
Length of mounting mast	190 mm
Wind speed	45 m/s

CLIMATIC CONDITIONS

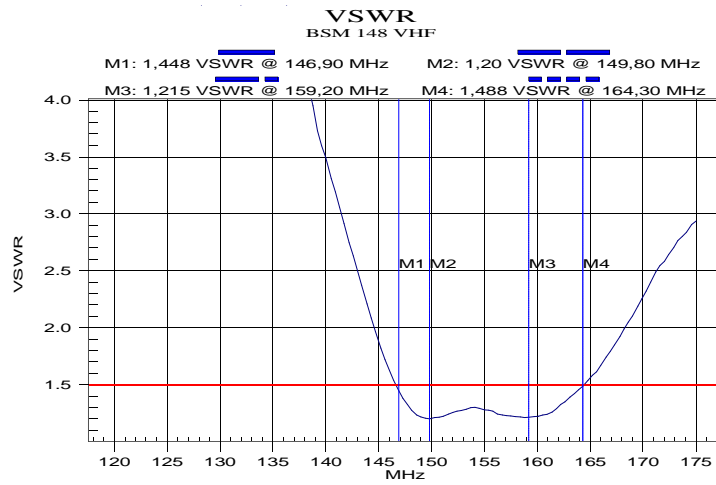
Temperature range	-40°C ÷ +70°C
Humidity	$\leq 100\%$ at +40°C



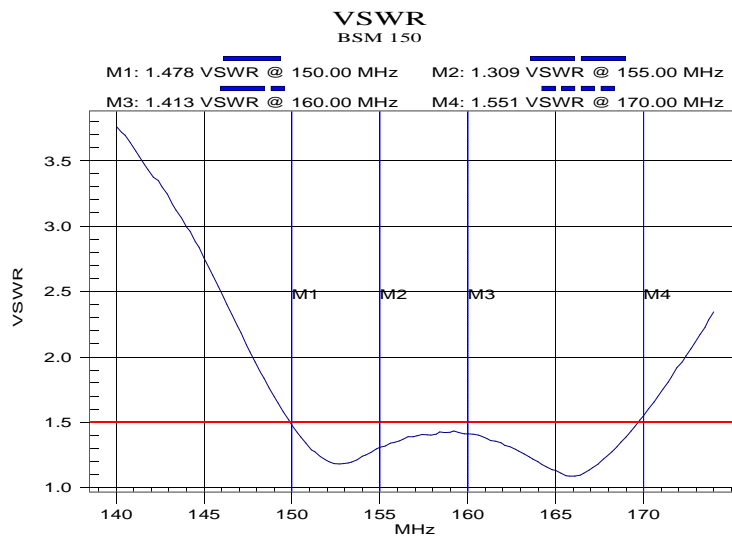
160MHZ

170MHz

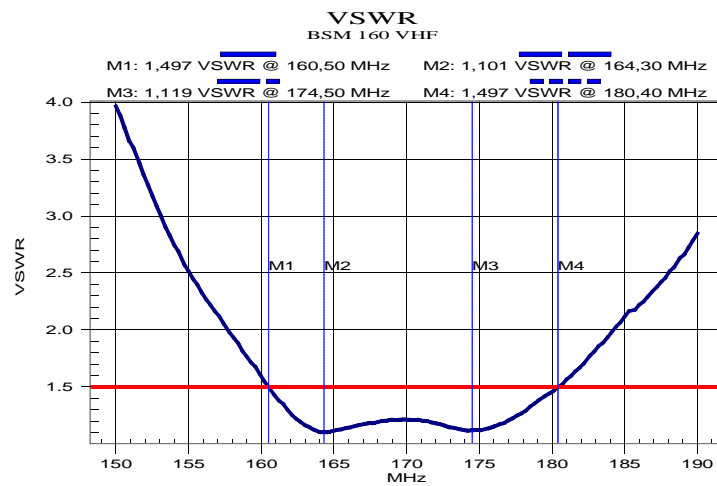
Vertical radiation pattern



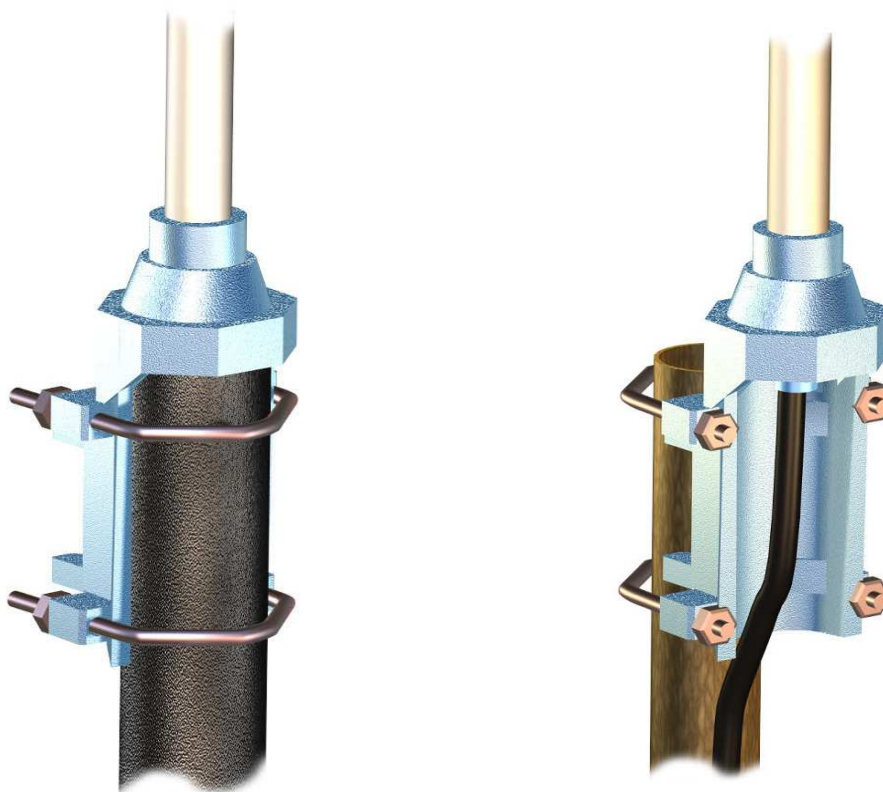
VSWR of version 148MHz



VSWR of version 150MHz



VSWR of version 160MHz



Mounting versions of the antenna with the mounting cast



P.U.P. Net-Com

41-902 Bytom, ul. Piekarska 102/7

tel./fax (32) 282-68-21, 0601-22-08-97

www.net-com.bytom.pl e-mail : biuro@net-com.bytom.pl