

Directional antenna

RFC 800



The directional antenna with a circular polarization and a gain of 8 dBic. The antenna is designed for RFID systems. Cover is made from high quality ABS, UV resistant and mechanically durable. Designed for operation under severe weather conditions. Proper materials allow operation in a aggressive environment without corrosion. The mechanical construction allows easy height and tilt adjustment which ensures stable operation.

ELECTRICAL

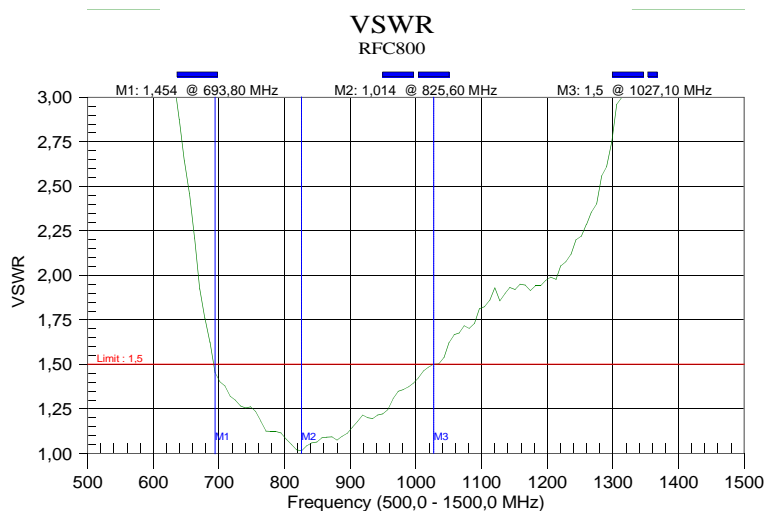
Gain	8 dBic
Radiation pattern	directional
Impedance	50 Ω
Antenna type	patch
VSWR	≤ 1.5
Frequency range	694 – 1027 MHz
Bandwidth	333 MHz
Maximum power	100 W

MECHANICAL

Connector type	N
Material	PVC cover
Polarization	circular
Weight	1.1 kg
Lightning protection	All metal parts are DC-grounded
Total dimensions	288 x 288 x 55 mm
Packaging	Carton box
Warranty period	24 months
Wind speed	120 km/h

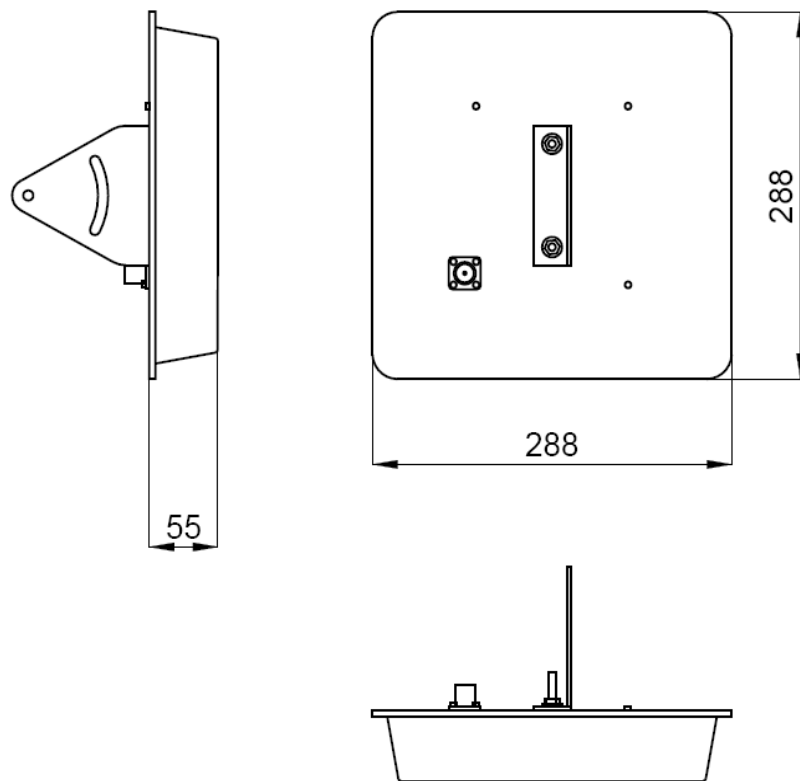
CLIMATIC CONDITIONS

Temperature range	-40°C ÷ +70°C
Humidity	$\leq 100\%$ at +40°C



VSWR

Total dimensions



P.U.P. Net-Com

41-902 Bytom, ul. Piekarska 102/7
tel./fax (32) 282-68-21, 0601-22-08-97

www.net-com.bytom.pl e-mail : biuro@net-com.bytom.pl