

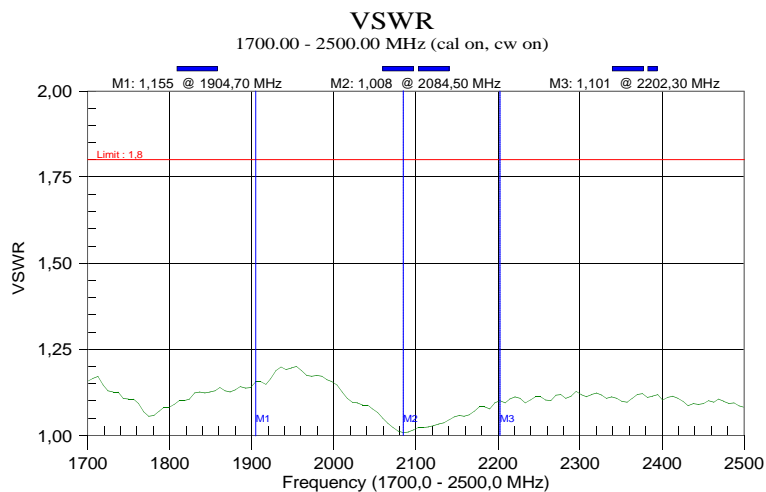
GSM UMTS Directional antenna

RFL 2100



Antenna working in GSM UMTS band with 10 dBi gain. It can be mounted for horizontal or vertical polarization. Cover is made from high quality ABS, UV resistant and mechanically durable. The construction of the radiating element is optimized to achieve a constant antenna gain in the whole range of 1900-2200 MHz. Designed for operation under severe weather conditions. Proper materials allow operation in a aggressive environment without corrosion. The mechanical construction allows easy height and tilt adjustment which ensures stable operation of a system.

ELECTRICAL	
Gain	10.5 dBi
Radiation pattern	directional
Impedance	50 Ω
Antenna type	patch
VSWR	≤ 1.8
Frequency range	1700 – 2500 MHz
Bandwidth	800 MHz
Maximum power	100 W
Horizontal radiation pattern code (H-plane)	030EB00 (CEPT Recommendation T/R 25-08)
Vertical radiation pattern code (E-plane)	028EA04 (CEPT Recommendation T/R 25-08)
MECHANICAL	
Connector type	N
Material	PVC cover
Polarization	vertical/horizontal
Weight	0,8 kg
Lightning protection	All metal parts are DC-grounded
Total dimensions	225 x 225 x 46 mm
Packaging	Carton box
Warranty period	24 months
Wind speed	120 km/h
CLIMATIC CONDITIONS	
Temperature range	-40°C ÷ +70°C
Humidity	$\leq 100\%$ at +40°C

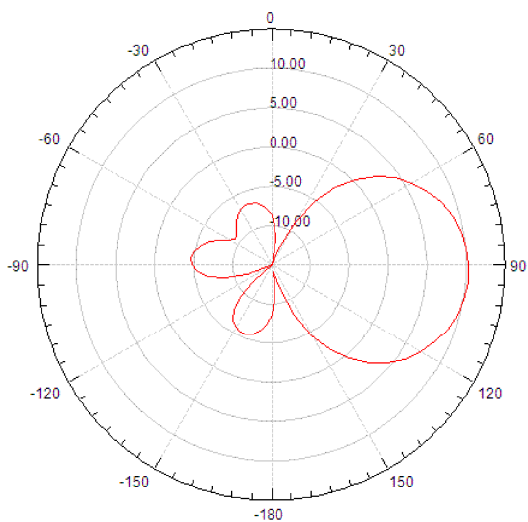


Resolution: 130
Model: MS

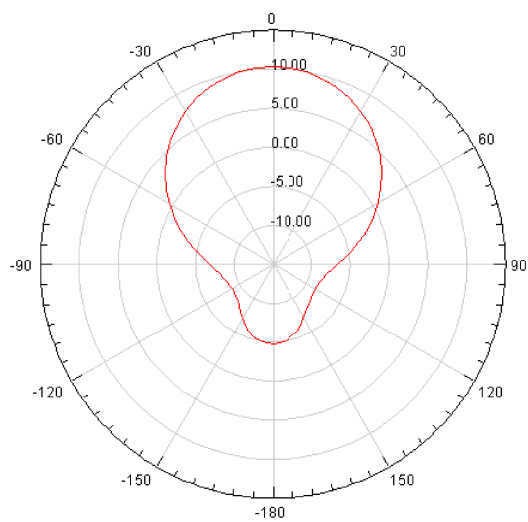
CAL:ON(COAX)
Serial #: 00000000

CW: ON
Smoothing: 0

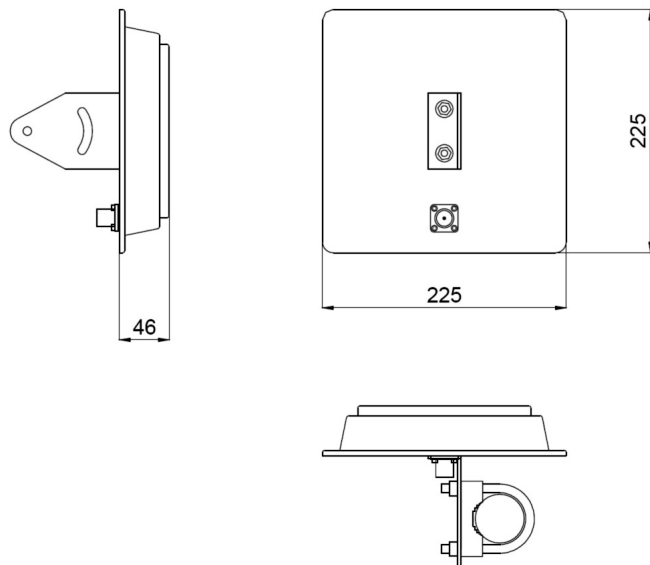
VSWR



Vertical radiation pattern



Horizontal radiation pattern



Total dimensions



P.U.P. Net-Com

41-902 Bytom, ul.Piekarska 102/7
 tel./fax (32) 282-68-21, 0601-22-08-97
www.net-com.bytom.pl e-mail : biuro@net-com.bytom.pl

P.U.P. NET-COM 2008
wszelkie prawa zastrzeżone