

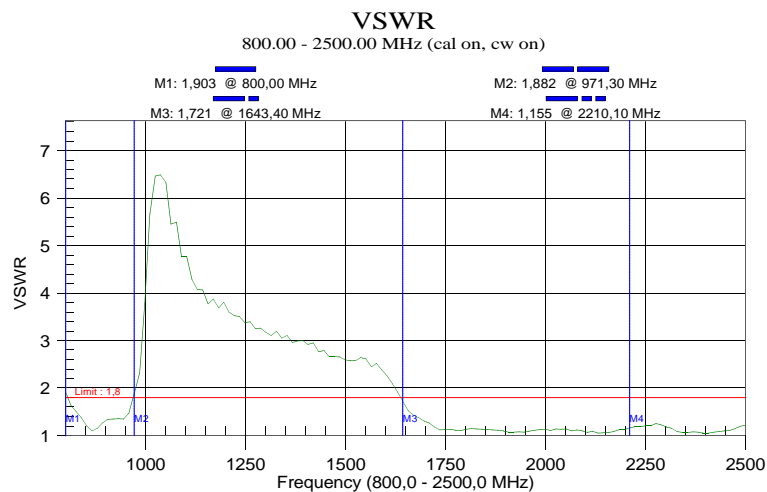
Wideband directional antenna

RFW 2000



Wideband antenna covering a both GSM bands 900 and 1800 as well as UMTS 2100. The electric construction of the antenna ensures stability of the transmission parameters in all bands of GSM systems. It can be mounted for horizontal or vertical polarization. Cover is made from high quality ABS, UV resistant and mechanically durable. Designed for operation under severe weather conditions. Proper materials allow operation in a aggressive environment without corrosion. The mechanical construction allows easy height and tilt adjustment which ensures stable operation of a system.

ELECTRICAL	
Gain	10.5 dBi
Radiation pattern	directional
Impedance	50 Ω
Antenna type	patch
VSWR	≤ 1.8
Frequency range	805 – 974 / 1640 – 2500 MHz
Bandwidth	169 / 860MHz
Maximum power	50 W
Horizontal radiation pattern code (H-plane)	030EB00 (CEPT Recommendation T/R 25-08)
Vertical radiation pattern code (E-plane)	024EA05 (CEPT Recommendation T/R 25-08)
MECHANICAL	
Connector type	N
Material	PVC cover
Polarization	vertical/horizontal
Weight	1.1 kg
Lightning protection	All metal parts are DC-grounded
Total dimensions	288 x 288 x 55 mm
Packaging	Carton box
Warranty period	24 months
Wind speed	120 km/h
CLIMATIC CONDITIONS	
Temperature range	-40°C ÷ +70°C
Humidity	≤ 100% at +40°C

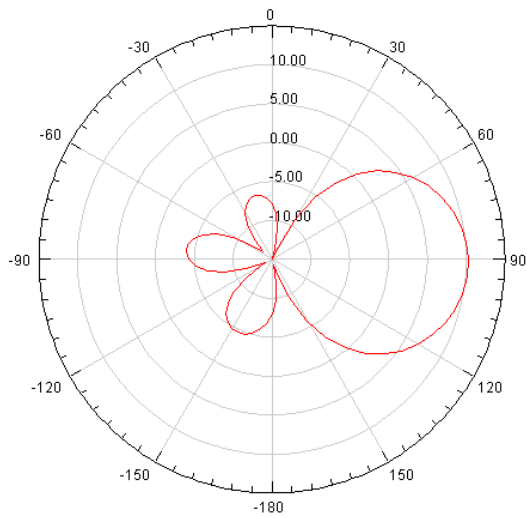


Resolution: 130
Model:

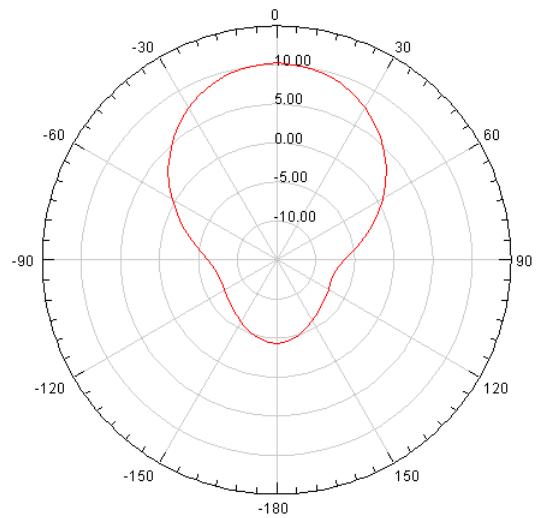
CAL:ON(COAX)
Serial #: 00000000

CW: ON
Smoothing: 0

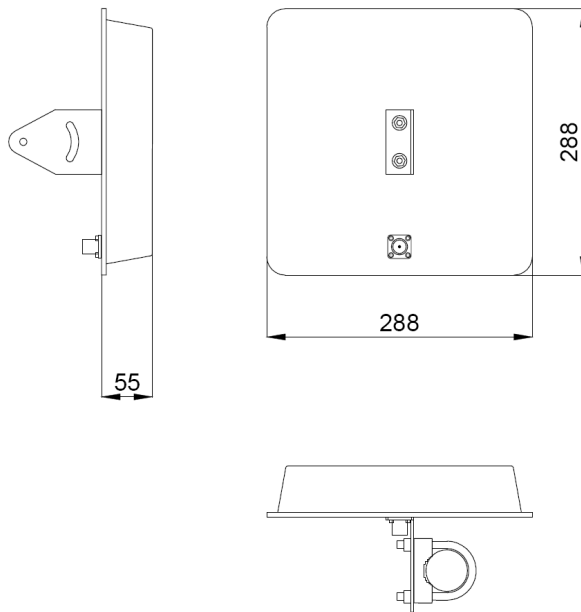
VSWR



Vertical radiation pattern



Horizontal radiation pattern



Total dimensions



P.U.P. Net-Com

41-902 Bytom, ul. Piekarska 102/7

tel./fax (32) 282-68-21, 0601-22-08-97

www.net-com.bytom.pl e-mail : biuro@net-com.bytom.pl