

# Wideband antenna

## ATC S10



The omnidirectional antenna designed for vertical polarization, produced in versions covering the whole UHF band. Waterproof construction and careful material selection ensure resistance to climatic conditions irrespective of climatic zones. The construction of the antenna is optimized with a special consideration of a required impedance matching in the neighbourhood of other antennas or of the structure of masts. The antenna is DC-grounded, there is an earthing clamp on the corpus of the antenna. An application: civil and military terrestrial and air communication systems.

## ELECTRICAL

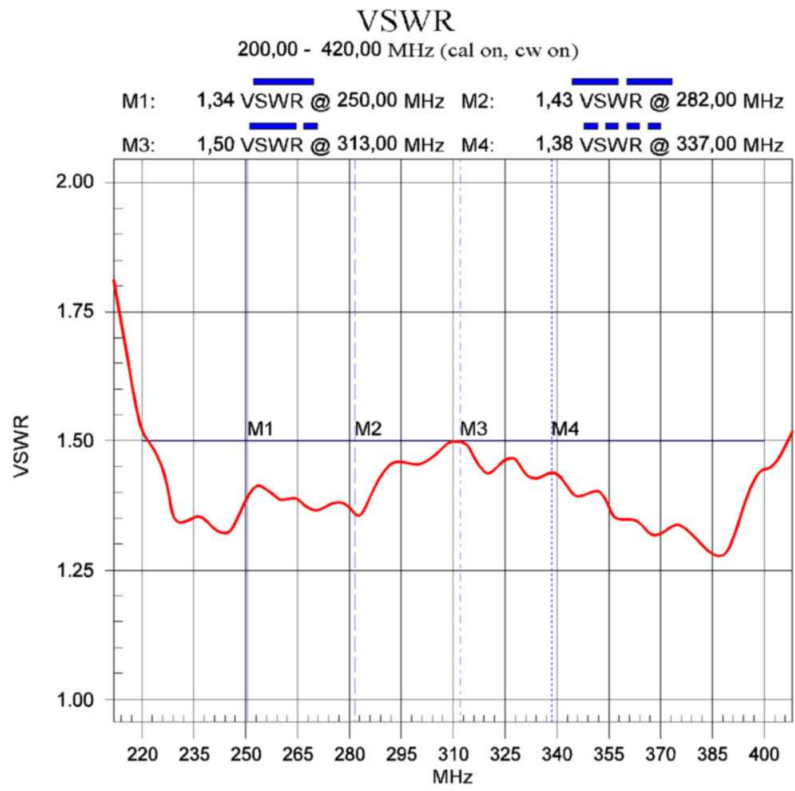
<b>Gain</b>	2.15 dBi
<b>Radiation pattern</b>	omnidirectional
<b>Impedance</b>	50 $\Omega$
<b>Antenna type</b>	discone
<b>VSWR</b>	< 1.5
<b>Frequency range</b>	220 – 410 MHz
<b>Bandwidth</b>	190 MHz
<b>Maximum power</b>	500 W
<b>Horizontal radiation pattern code (H-plane)</b>	000ND00 (CEPT Recommendation T/R 25-08)
<b>Vertical radiation pattern code (E-plane)</b>	070DE20 (CEPT Recommendation T/R 25-08)

## MECHANICAL

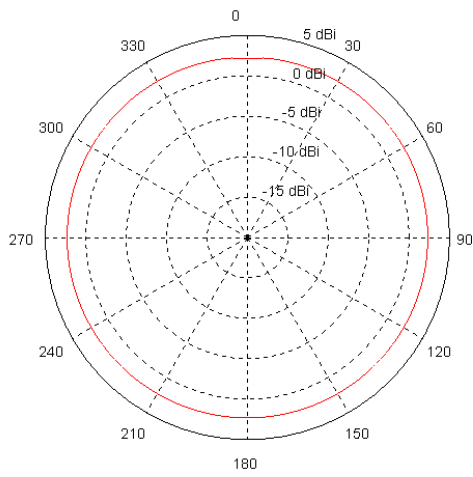
<b>Connector</b>	N
<b>Material</b>	Aluminium, fiberglass, stainless steel
<b>Polarization</b>	vertical
<b>Weight</b>	7.0 kg
<b>Lightning protection</b>	DC-grounded
<b>Total dimensions (diameter/height)</b>	330 / 1650 mm
<b>Packaging</b>	Carton box
<b>Warranty period</b>	36 months
<b>Wind speed</b>	180 km/h
<b>MTBF</b>	> 250 000 h

## CLIMATIC CONDITIONS

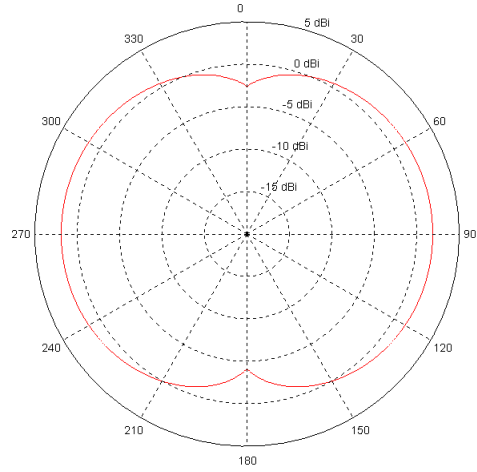
<b>Temperature range</b>	-40°C ÷ +85°C
<b>Humidity</b>	≤ 100% at +40°C



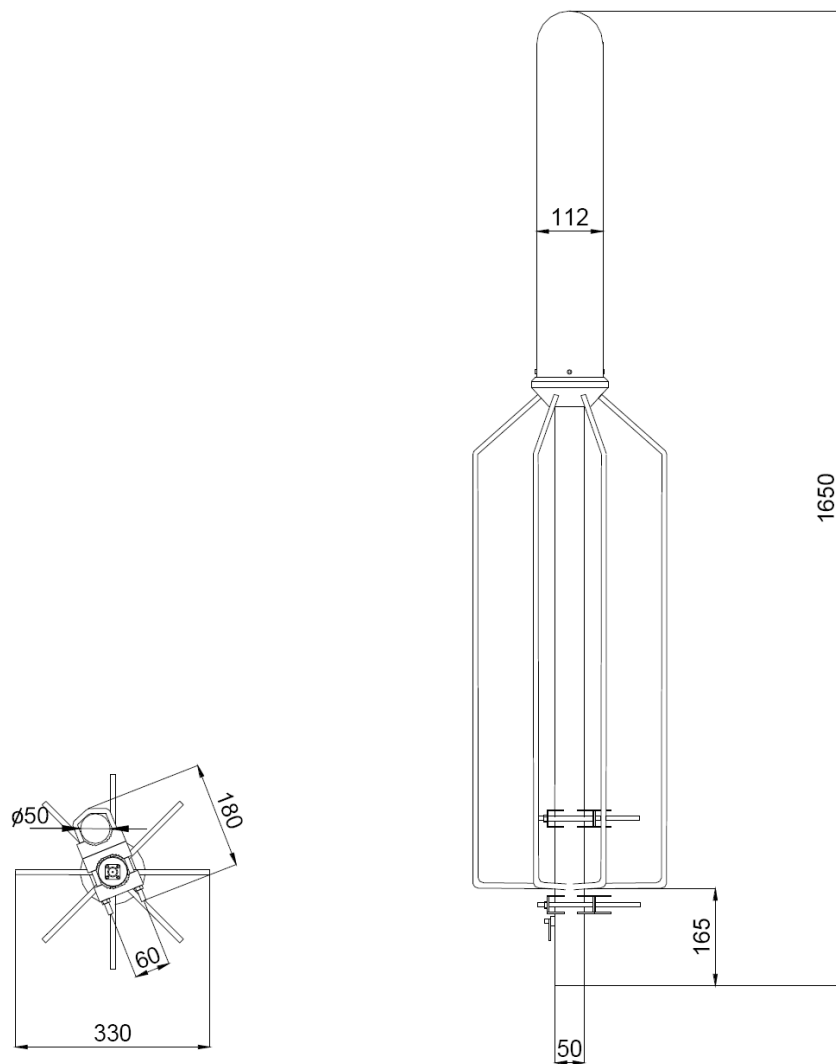
VSWR



Horizontal radiation pattern



Vertical radiation pattern



Dimensions and mounting details of the ATC S10


**P.U.P. Net-Com**  
 41-902 Bytom, ul. Piekarska 102/7  
 tel./fax (32) 282-68-21, 0601-22-08-97  
[www.net-com.bytom.pl](http://www.net-com.bytom.pl) e-mail : [biuro@net-com.bytom.pl](mailto:biuro@net-com.bytom.pl)

P.U.P. NET-COM 2008
wszelkie prawa zastrzeżone