

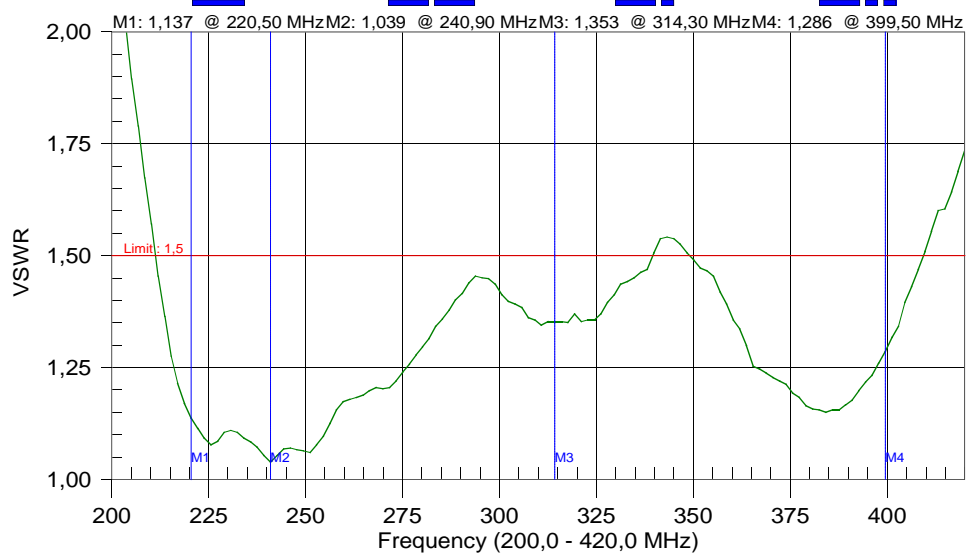
ATC S16 - UHF



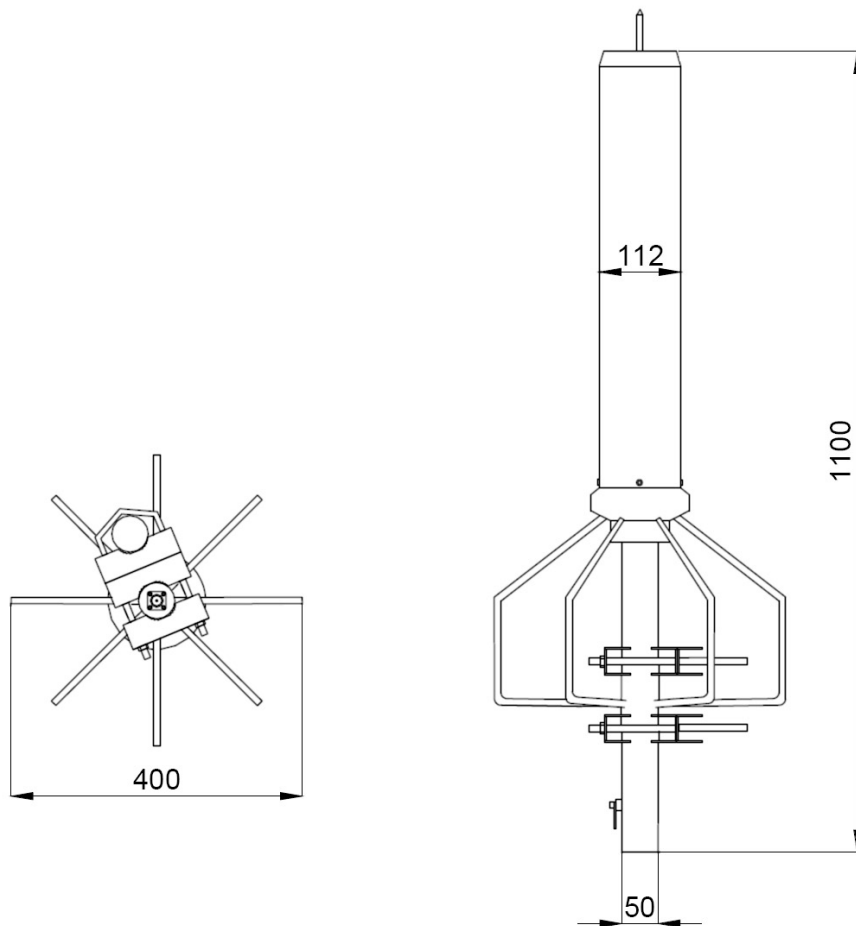
The omnidirectional antenna designed for vertical polarization, produced in versions covering the whole UHF band. The antenna has a very high resistance to environmental factors, mechanical damage and lightning. The antenna is designed and optimized to provide the required matching impedance close to other antennas or masts. The antenna is DC-grounded, there is a lightning rod on the top, connected with an earthing clamp on the base of the antenna. The antenna requires no additional lightning rod in peak locations. An application: civil and military terrestrial and air communication systems.

ELECTRICAL	
Gain	2,15 dBi
Radiation pattern	omnidirectional
Impedance	50 Ω
VSWR	$\leq 1,5$
Frequency range	210 - 410 MHz
Bndwidth	200 MHz
Maximum power	500 W
MECHANICAL	
Connector	N
Material	Aluminum, fiberglass
Polarization	vertical
Total weight	5 kg
Lightning protection	Galvanic on the mounting base
Dimensions (diameter/height)	400 / 1100 mm
Packaging	Carton box
Warranty period	2 years
Wind speed	120 km/h
CLIMATIC CONDITIONS	
Temperature range	-40°C ÷ +70°C
Humidity	$\leq 100\%$ at +40°C

ATC S16 VSWR



VSWR



Total dimensions of the antenna



P.U.P. Net-Com

41-902 Bytom, ul. Piekarska 102/7
tel./fax (32) 282-68-21, 0601-22-08-97

www.net-com.bytom.pl e-mail : biuro@net-com.bytom.pl