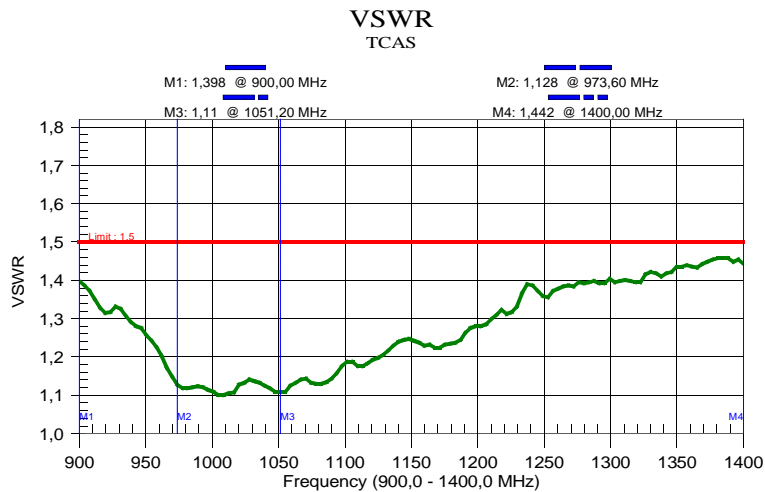


ATC S17 SSR

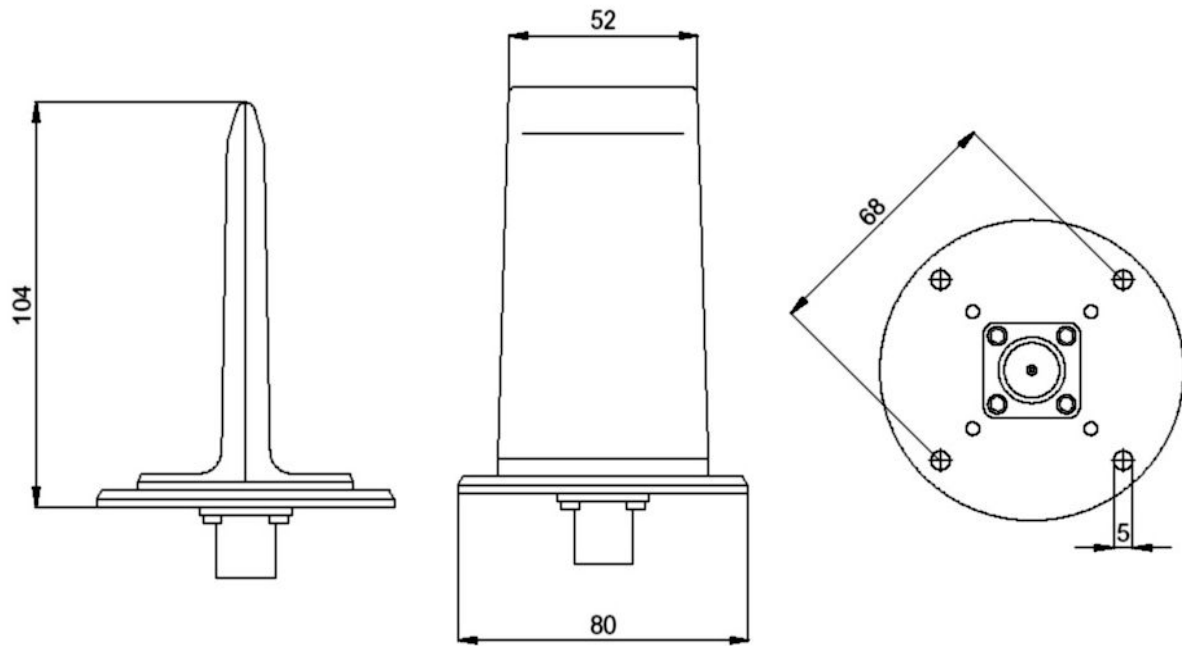


The antenna is designed for an aviation application and for mounting on a propeller-driven aircraft. Construction allows mounting on the hull bottom of the aircraft. Radiation pattern is shaped for cooperation with transponders of SSR or TCAS system.

ELECTRICAL	
Gain	1.0 dB
Radiation pattern	omnidirectional
Impedance	50 Ω
Antenna type	dipole
VSWR	≤ 1.5
Frequency range	900 – 1400 MHz
Bandwidth	500MHz
Maximum power	500 W
Peak power	1500 W
MECHANICAL	
Connector	N
Material	Fiberglass laminate
Polarization	vertical
Weight	0.175 kg
Total dimensions (diameter/height)	80 / 104 mm
Packaging	carton box
Warranty period	24 months
Maximum flight speed	500 km/h
CLIMATIC CONDITIONS	
Temperature range	-40°C ÷ +70°C
Humidity	$\leq 100\%$ at +40°C



VSWR



Total dimensions of the ATC S17 SSR



P.U.P. Net-Com

41-902 Bytom, ul. Piekarska 102/7
tel./fax (32) 282-68-21, 0601-22-08-97

www.net-com.bytom.pl e-mail : biuro@net-com.bytom.pl