

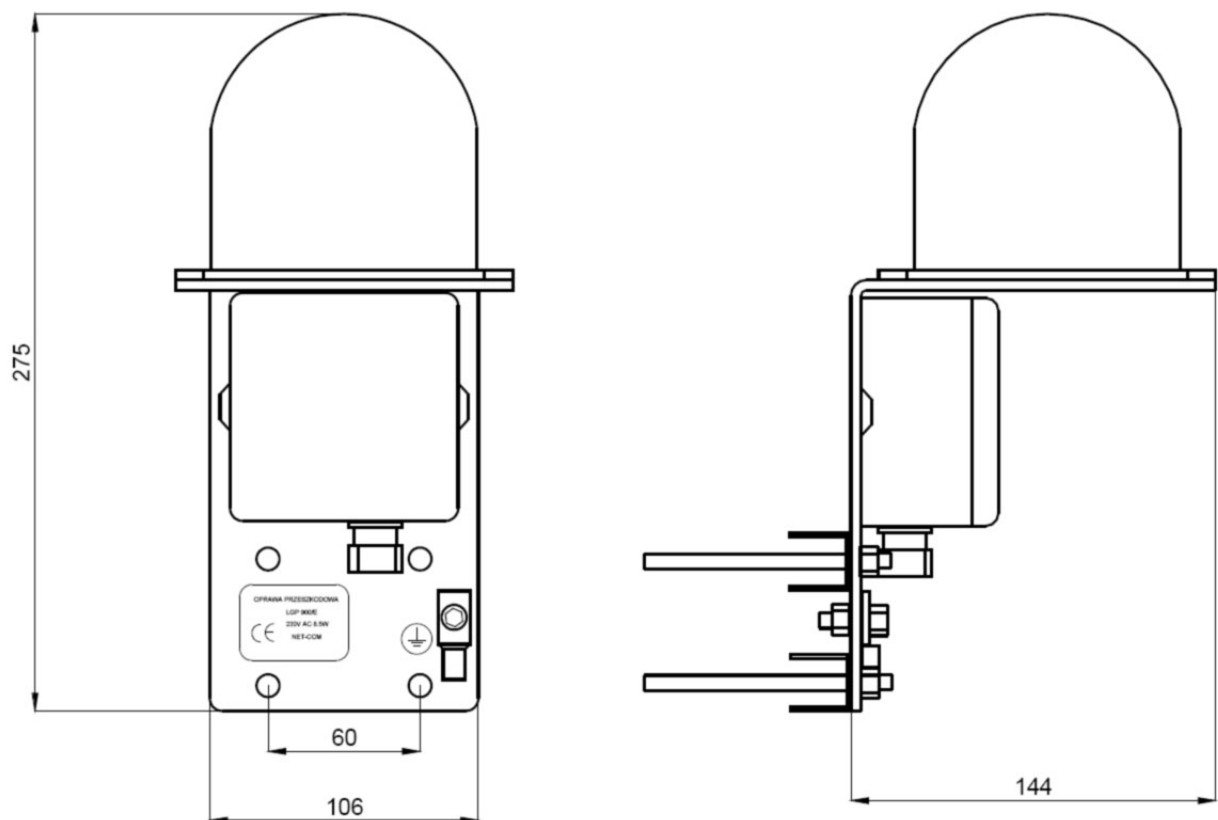
# Low intensity LED obstruction light type B

## LGP - 900/E



Compatibility with specifications: ICAO type B

<b>ELE</b>	
<b>Power supply</b>	230 V AC, 8.5W
<b>Light beam</b>	32 cd typ B
<b>Emission level</b>	Min 32 cd @ +/- 10 degree
<b>Ingress Protection</b>	IP 65
<b>No radioelectric disturbance</b>	
<b>Vitality</b>	Minimum 100 000 hours of continuous work
<b>Reliability</b>	30 independent LED sections (for 5 items) preventing total failure
<b>Additional internal twilight switch</b>	
<b>MECHANICAL</b>	
<b>Material</b>	Steel, polycarbonate, red colour
<b>Diameter of mounting mast</b>	Max 50,0 mm
<b>Weight</b>	1.8 kg



Total dimensions of the LGP 900/E



**P.U.P. Net-Com**

41-902 Bytom, ul. Piekarska 102/7  
tel./fax (32) 282-68-21, 0601-22-08-97

[www.net-com.bytom.pl](http://www.net-com.bytom.pl) e-mail : [biuro@net-com.bytom.pl](mailto:biuro@net-com.bytom.pl)