

# **Antenna for VOR/DVOR beacons**

## **AT-DVOR 011**



**The antenna is designed for VOR/DVOR air navigations systems as a carrier and a sideband antenna. It is an Alford loop antenna with a balun, enclosed in a fiberglass radome. The rigid mechanical construction ensures a stability of transmission parameters regardless of the weather and season. The mounting corps of the AT-DVOR 011 cooperate with a standard support used in DVOR beacons. The antenna has an input for a probe. The removeable radome allows to tune the antenna for an operating frequency of the beacon.**

## ELECTRICAL

Gain	0,0 dB
Radiation pattern	omnidirectional
Impedance	50 $\Omega$
Antenna type	Alford
VSWR	$\leq 1,1$
Frequency range	106 -120 MHz
Polarization	horizontal
Maximum power	200 W

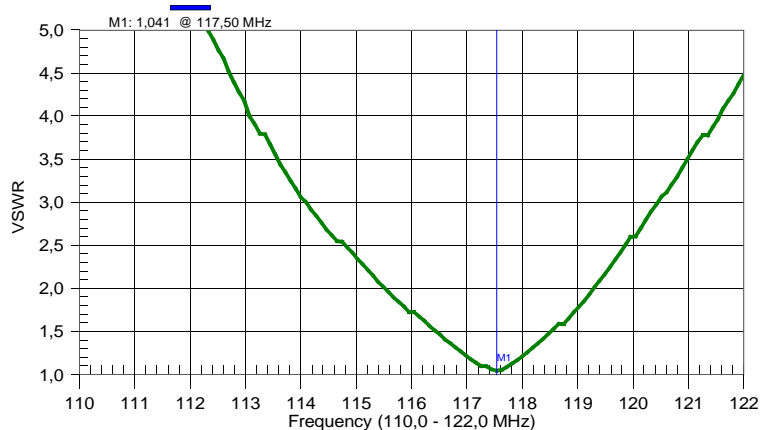
## MECHANICAL

Connector	N
Material osłony (radome)	Fiberglass laminate
Weight	ok. 11 kg
Lightning protection	DC-grounded, a zero potential on a mounting corps
Total dimensions	575 x 575 x 363 mm
Packaging	Carton box
Warranty period	3 years
Wind speed	90 km/h

## CLIMATIC CONDITIONS

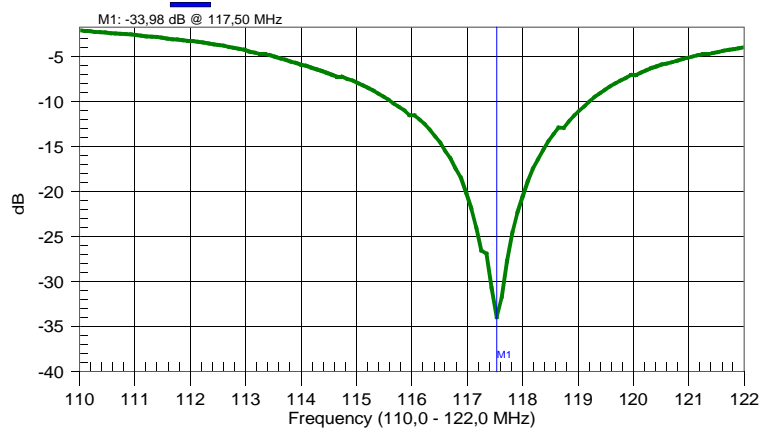
Temperature range	-40°C ÷ +70°C
Humidity	$\leq 100\%$ at +40°C

VSWR  
AT-DVOR 011



VSWR

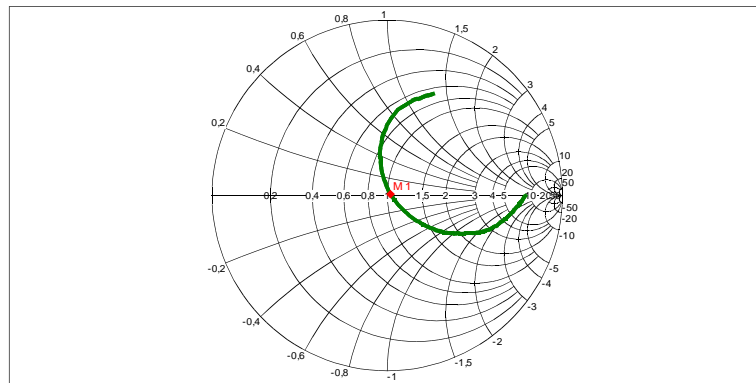
### Return Loss AT-DVOR 011



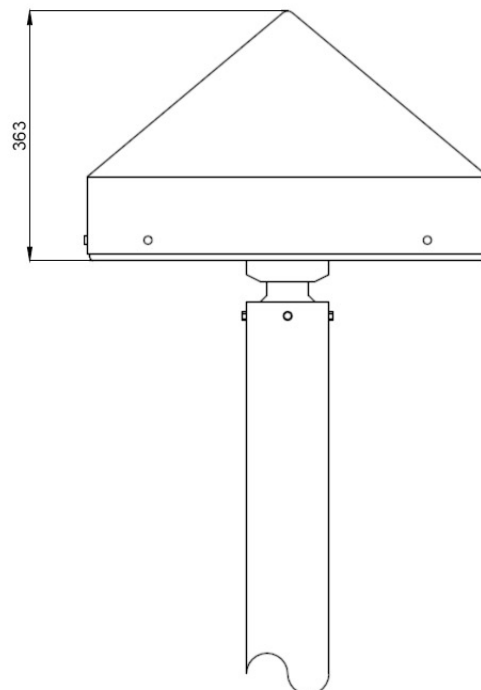
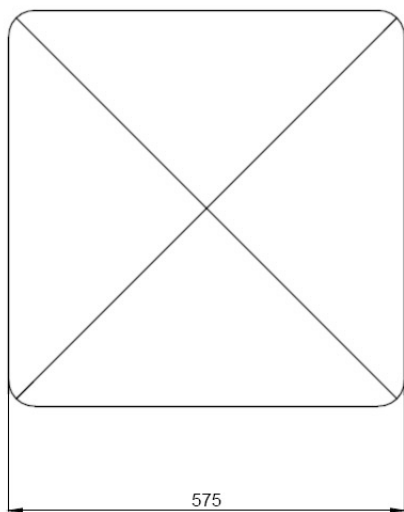
### Return Loss

### Smith Chart AT-DVOR 011

M1:  $r=1,04$ ,  $x=0,02$  @ 117,50 MHz



Normalized input impedance



Total dimensions



**P.U.P. Net-Com**

41-902 Bytom, ul. Piekarska 102/7  
tel./fax (32) 282-68-21, 0601-22-08-97

www.net-com.bytom.pl e-mail : [biuro@net-com.bytom.pl](mailto:biuro@net-com.bytom.pl)