

## PROTEZIONE COASSIALE EMP COAXIAL PROTECTOR

Adattatore N femmina - femmina da pannello  
Interfaccia connettore : secondo CECC 122210

*N jack to bulkhead jack adapter  
Connector interface : according to CECC 122210*

Impedenza :  $50\Omega$   
R.O.S. :  $\leq 1.2$  sino a 2.5 GHz  
Perdite di inserzione :  $\leq 0.2\text{dB}$

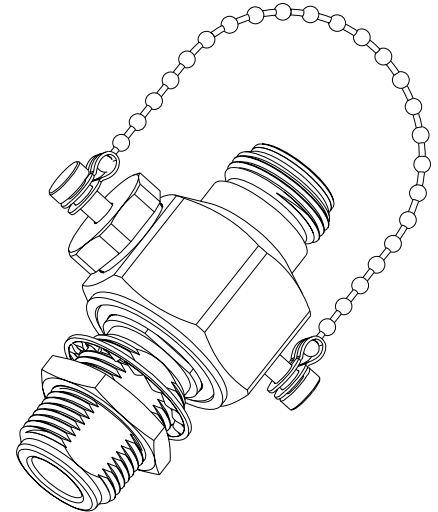
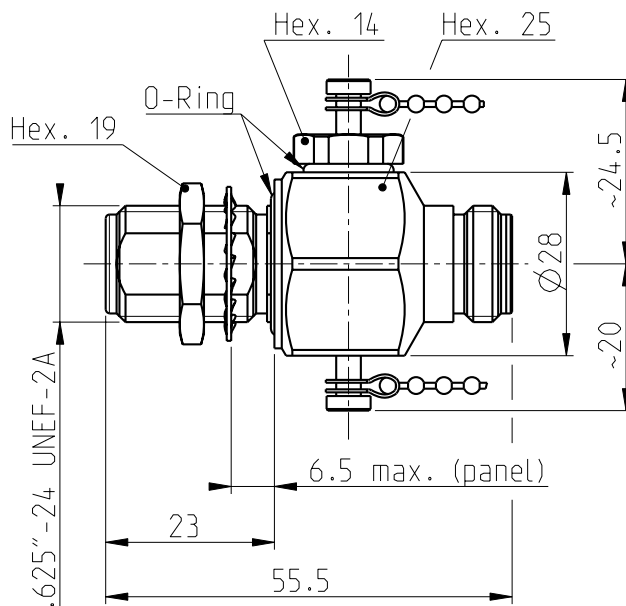
*Impedance :  $50\Omega$   
VSWR :  $\leq 1.2$  up to 2.5 GHz  
Insertion loss :  $\leq 0.2\text{dB}$*

Materiali e finiture :  
- Corpo : Ottone lega ternaria  
- Contatto interno : Rame al berillio dorato  
- Isolante : PTFE  
- Guarnizione : Gomma siliconica  
- Catenella : Ottone nichelato

*Materials and finishing :  
- Body : Brass-ternary alloy plated  
- Inner contact : Beryllium copper-gold plated  
- Insulator : PTFE  
- Gaskets : Silicone rubber  
- Chain : Brass-nickel plated*

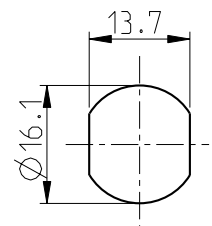
Grado di protezione : IP67 (sec. norma CEI EN 60529)  
Temperatura di impiego :  $-40\text{ }^\circ\text{C}$  a  $90\text{ }^\circ\text{C}$   
Peso : 98g~

*Protection degree : IP67 (according to CEI EN 60529)  
Operating temperature range :  $-40\text{ }^\circ\text{C}$  to  $90\text{ }^\circ\text{C}$   
Weight : 98g~*



Part. nr.	Capsula di scarica ( $\phi 8 \times 8$ ) <i>Surge arrester capsule</i>	Tensione di intervento <i>DC spark-over voltage</i>
<b>350.055.900.T2</b>	Non inclusa/Not included	-----
<b>350.055.900.T2Y1</b>	p/n 100.074.050	230V $\pm 20\%$
<b>350.055.900.T2Y2</b>	p/n 100.074.051	350V $\pm 20\%$
<b>350.055.900.T2Y3</b>	p/n 100.074.052	90V $\pm 20\%$

Foratura pannello  
Panel cutout



**Strictly confidential. Unauthorized reproductions not allowed. Copyright by Compel.**

ED.	DATA / DATE	FIRMA / SIGN.	ED.	DATA / DATE	FIRMA / SIGN.	ED.	DATA / DATE	FIRMA / SIGN.
01	16.07.09	Gb Ng	04	30.07.08	Re Ng	<b>07</b>	<b>31.03.10</b>	<b>Mc Em</b>
02	02.12.99	Gb Ng	05	25.09.08	Re Ng			
03	19.06.01	Eb Ng	06	13.02.09	Mc Ng			